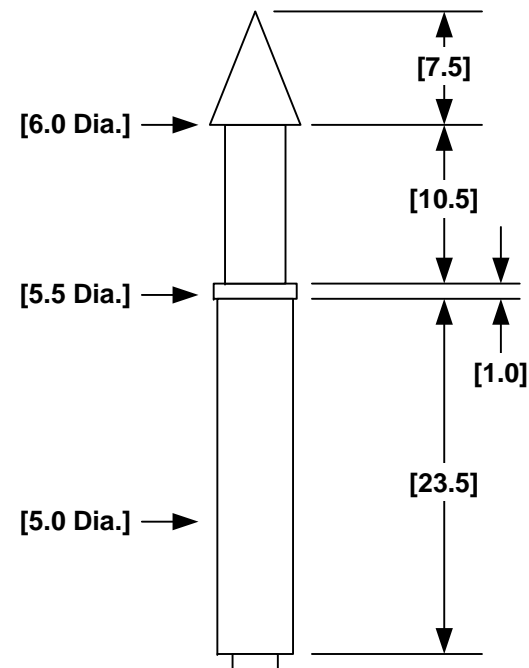


GP-2 Guide Pin



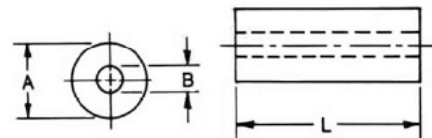
Collar Fitted to Guide Pin



Supplied as Pack


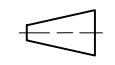


Collar



Material Nylon
 Outside Dia. A 5/16
 Inside Dia. B 0.194
 Length L 1/8

Iss.	Date	Change No. (Desc.)	App'd
01	Feb16	Original	MDK
02	11Jan17	Correct length	NRM

		Scale Not To Scale	
Units inch	Dimensions in square brackets [] are in mm.	Unless otherwise specified, all dimensions apply after finish.	
Tolerances			
.x	.xx	.xxx	Hole Dia.
±0.1	±0.05		±1 deg +0.05 -0.00
Material			
Finish Clean and Burr Free			

Designed Nick Massey	Date Jun 2015
Drawn Matthew Kendall	Date Feb 2016
Checked	Date
Released	Date

Merifix Electronics
 North Vancouver BC Canada

This drawing is issued by Merifix Electronics in confidence and is not to be reproduced or released, in whole or in part, without the prior written permission of Merifix. The information contained herein is the property of Merifix and is to be used only for the purpose for which it is submitted.

Title Locating Probe GP-2 Customer Drawing
Part Number(s) 16063/XX
Drawing Number 16253-02
Sheet 1 of 1